

# AF 0020 AUTO

## FULLY AUTOMATIC LIQUID FILLING MACHINE

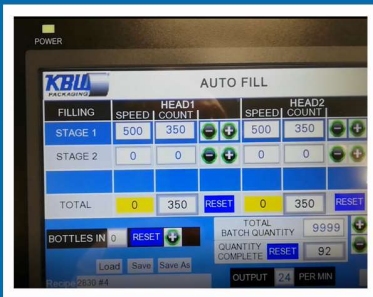
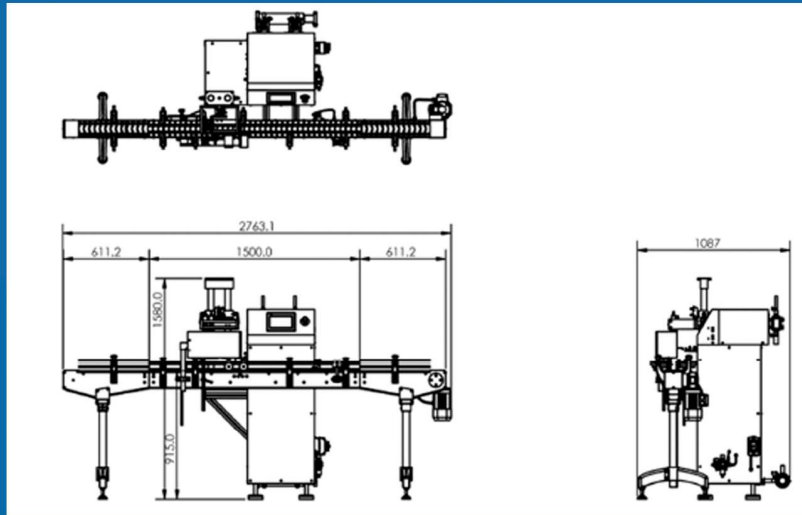
The AF 0020 Auto in-line volumetric liquid filler offers unparalleled flexibility with a wide range of applications to suit a number of industries.



### MACHINE FEATURES

- 7." TFT colour touch screen capable of storing up to 20 recipes.
- Pneumatic dipping centre jet nozzles.
- Complete centre Jet diameter to suit container neck ID.
- Tool less quick release machine elements.
- Positive container neck location.
- Enclosed base cabinet.
- Accurate and repeatable servo filling technology.
- Multiple adjustments without the need to stop the machine.
- Smooth and accurate container handling.
- Fast product change over.
- Integrated fault alarms.
- Constructed in compliance with FDA approved materials.
- Optional full IQ/OQ validation support documentation.

# YOUR PARTNER IN PACKAGING



## TECHNICAL SPECIFICATION

Filling Range:	2ml - 5L
Filling Accuracy:	+/- 0.5%
Filling Speed:	Up to 30 bottle per minute (Dependent on fill and bottle size)
Filling Technology:	Volumetric
Build Standard:	cGMP, CE marked in accordance with Machinery Directive 2006/42/EC
Power Requirements:	220/240V 50Hz 1Ph or 110/120V 60Hz
Pneumatic Requirement:	4 - 7 Bar, filtered and dried
Nett Weight:	150Kg

## OPERATION

The AF 0020 AUTO is operated using an HMI where the dose and product flow rate can be adjusted along with single shot and profile filling modes. When filling begins liquid is pumped under pressure past a non return valve and out of the dispensing nozzle.

Filling is a pre determined value. When the correct number of pulses given by the pump drive is reached the pump head stops and the filling cycle is complete. The bottle change over occurs by gating the filled bottles and allowing the cycle to be repeated