

YOUR PARTNER IN PACKAGING



SEQUENCE TOTAL

FULLY AUTOMATIC LABELLING MACHINE

The Sequence Total offers small to medium scale packaging operations with unparalleled flexibility to handle a wide range of wrap around and panel label types.

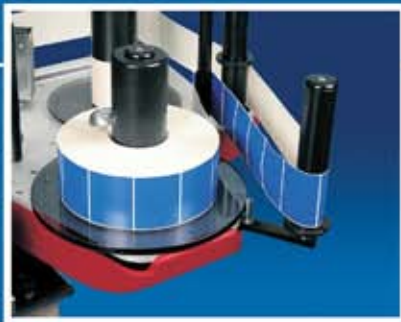
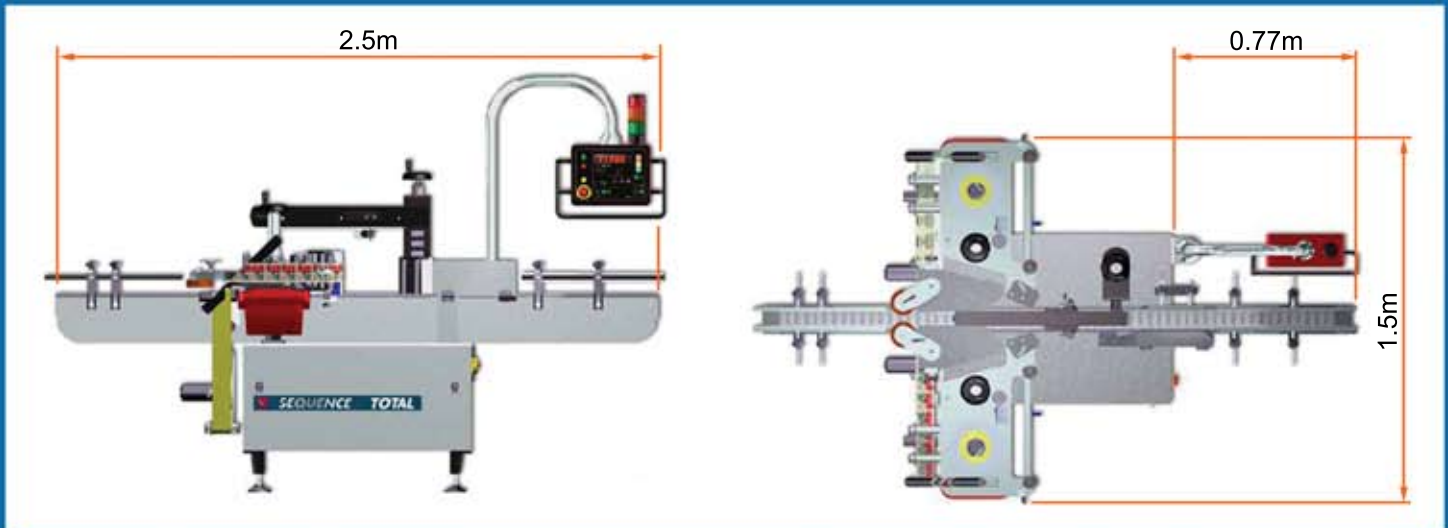


MACHINE FEATURES

- Easy to operate integrated control system with label counter and pre-set batch controls.
- Suitable for a wide range of cylindrical labelling applications.
- Easy to operate integrated control system with arm mounted keypad and digital display.
- Stepper motor drives for fast and accurate labelling.
- Opaque label detection as standard.
- Front and rear labelling heads for optimum label placement with wrap around, oval and multi panels applications.
- Easily adjustable label pre-dispensing and label positioning with graduated scale.
- Optional full IQ/OQ Validation support package
- Hygienic design using FDA approved materials.
- Small machine footprint.



YOUR PARTNER IN PACKAGING



TECHNICAL SPECIFICATION

Dispensing Speed:	Up to 30 metres per minute.
Spool Diameter:	46mm or 76mm
Maximum Label Size:	300mm x 205mm wide
Control System:	Integrated PLC
Drive System:	Stepper Motor
Build Standard:	cGMP, CE marked in accordance with Machinery Directive 2006/42/EC
Power Requirements:	220/240v 50Hz 1Phase
Pneumatic Requirement:	4 bar filtered and dried
Nett Weight:	200Kg

OPERATION

The SEQUENCE TOTAL is operated using a simple control panel interface with digital display. Once the machine has been adjusted for the required product, bottles are fed onto the infeed of the conveyor system. A pair of chain aligners space the bottles to a predetermined pitch and as the bottles pass a sensor each labelling head dispenses a label onto each passing bottle. An upper bottle stabilising belt is also used to ensure accurate and repeatable label placement.

Once the leading edges of the dispensed labels have been tacked onto the bottle they then enter and pass through a smoothing roller assembly where the label is applied.